

Range-wide mtDNA phylogeography yields insights into the origins of Asian elephants

T.N.C Vidya, Raman Sukumar and Don J Melnick

Proc. R. Soc. B 2009 **276**, 893-902

doi: 10.1098/rspb.2008.1494

Supplementary data

["Data Supplement"](#)

<http://rsob.royalsocietypublishing.org/content/suppl/2009/02/20/276.1658.893.DC1.html>

References

[This article cites 40 articles, 6 of which can be accessed free](#)

<http://rsob.royalsocietypublishing.org/content/276/1658/893.full.html#ref-list-1>

Subject collections

Articles on similar topics can be found in the following collections

[evolution](#) (541 articles)

Email alerting service

Receive free email alerts when new articles cite this article - sign up in the box at the top right-hand corner of the article or click [here](#)

To subscribe to *Proc. R. Soc. B* go to: <http://rsob.royalsocietypublishing.org/subscriptions>

Range-wide mtDNA phylogeography yields insights into the origins of Asian elephants

T. N. C. Vidya^{1,2,*}, Raman Sukumar¹ and Don J. Melnick³

¹Centre for Ecological Sciences, Indian Institute of Science, Bangalore 560 012, India

²Evolutionary and Organismal Biology Unit, Jawaharlal Nehru Centre for Advanced Scientific Research, Bangalore 560 064, India

³Department of Ecology, Evolution and Environmental Biology, Columbia University, 1200 Amsterdam Avenue, New York, NY 10027, USA

Recent phylogeographic studies of the endangered Asian elephant (*Elephas maximus*) reveal two highly divergent mitochondrial DNA (mtDNA) lineages, an elucidation of which is central to understanding the species's evolution. Previous explanations for the divergent clades include introgression of mtDNA haplotypes between ancestral species, allopatric divergence of the clades between Sri Lanka or the Sunda region and the mainland, historical trade of elephants, and retention of divergent lineages due to large population sizes. However, these studies lacked data from India and Myanmar, which host approximately 70 per cent of all extant Asian elephants. In this paper, we analyse mtDNA sequence data from 534 Asian elephants across the species's range to explain the current distribution of the two divergent clades. Based on phylogenetic reconstructions, estimates of times of origin of clades, probable ancestral areas of origin inferred from dispersal–vicariance analyses and the available fossil record, we believe both clades originated from *Elephas hysudricus*. This probably occurred allopatrically in different glacial refugia, the α clade in the Myanmar region and the β clade possibly in southern India–Sri Lanka, 1.6–2.1 Myr ago. Results from nested clade and dispersal–vicariance analyses indicate a subsequent isolation and independent diversification of the β clade in both Sri Lanka and the Sunda region, followed by northward expansion of the clade. We also find more recent population expansions in both clades based on mismatch distributions. We therefore suggest a contraction–expansion scenario during severe climatic oscillations of the Quaternary, with range expansions from different refugia during warmer interglacials leading to the varying geographical overlaps of the two mtDNA clades. We also demonstrate that trade in Asian elephants has not substantially altered the species's mtDNA population genetic structure.

Keywords: phylogeography; divergent mitochondrial clades; Pleistocene refugia; elephant trade; *Elephas* fossils

1. INTRODUCTION

The Asian elephant (*Elephas maximus*) is endangered, with a wild population of 41 000–52 000 individuals in 6 per cent of the range occupied 4000 years ago (Sukumar 2003). It is the sole surviving species of the Proboscidea in Asia. Studies of its evolutionary history and phylogeography are recent enough that their results have not been integrated into conservation action, although the flagship role of the elephant for broader conservation in Asia has been recognized (Duckworth & Hedges 1998; Sukumar 2003). Fossils and molecular analyses are valuable in reconstructing evolutionary history, so while fossil data for the Elephantidae are limited in Asia, increasing molecular data and new ways of evaluating them are providing a clearer picture of the species' phylogeography (Fernando *et al.* 2000, 2003; Fleischer *et al.* 2001; Vidya *et al.* 2005).

The largest study of fossil elephantid morphology indicated that the genus *Elephas* originated in Africa after

the differentiation of the genus *Loxodonta* and was present during the Early Pliocene (Maglio 1973). A recent molecular study by Rohland *et al.* (2007) has estimated that *Loxodonta* and the *Mammuthus–Elephas* lineage diverged 7.6 (95% CI 6.6–8.8) million years ago (Myr ago). The fossil record alone suggests that this split is more recent (*ca* 5.5 Myr ago) (see electronic supplementary material 1). A derivative of the early *Elephas ekorensis–Elephas recki* complex colonized Asia and is thought to have given rise to *Elephas planifrons* and *Elephas hysudricus* (Maglio 1973). The earliest records of both species were found in the Siwalik Hills in the northern Indian subcontinent, *E. planifrons* appearing *ca* 3.6 Myr ago and *E. hysudricus* *ca* 2.7 Myr ago (see Nanda 2002). Late in the Early Pleistocene, *Elephas namadicus*, another derivative of *E. recki*, colonized Asia and displaced the earlier *Elephas* species across a considerable part of their ranges (Maglio 1973) before disappearing in the Late Pleistocene. However, *E. hysudricus*, which was widespread, is considered (based on dental and cranial evidence) to have given rise to *E. maximus* in southern Asia *ca* 0.25 Myr ago (Maglio 1973) and to *Elephas hysudricus*, a Javan species, *ca* 0.8–1.0 Myr ago (Maglio 1973; Van den Bergh *et al.* 1996).

Molecular phylogeographic analyses are often based on mitochondrial DNA (mtDNA) markers. As mtDNA is

* Author and address for correspondence: Evolutionary and Organismal Biology Unit, Jawaharlal Nehru Centre for Advanced Scientific Research, Bangalore 560 064, India (tncvidya@jncasr.ac.in).

Electronic supplementary material is available at <http://dx.doi.org/10.1098/rspb.2008.1494> or via <http://journals.royalsociety.org>.

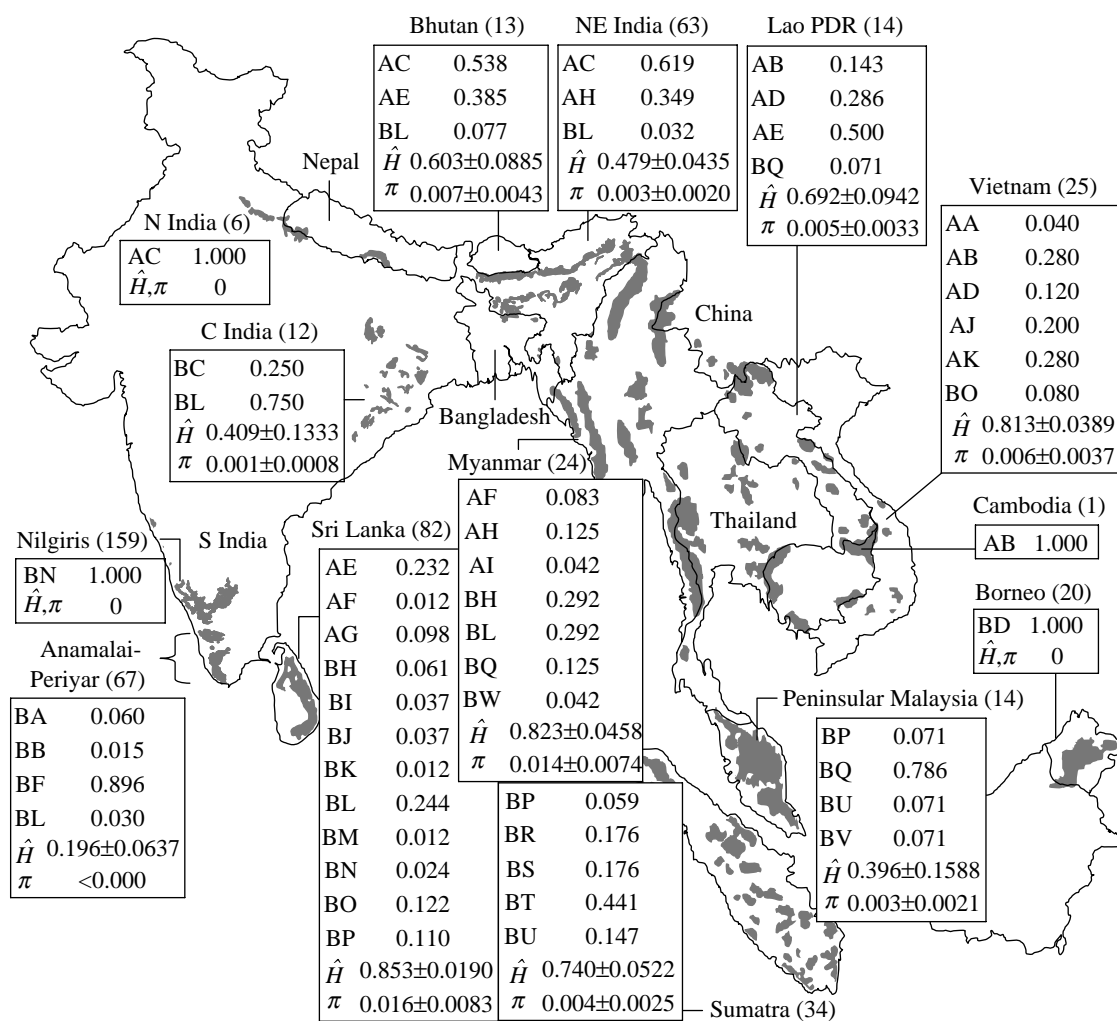


Figure 1. Present Asian elephant distribution (grey) based on Sukumar (2003) and (for India) Vidya *et al.* (2005), and the number of individuals sampled (within parentheses), proportions of different haplotypes, and \hat{H} and π (expressed as average \pm 1.96 s.e.) tabled against different populations. Haplotypes beginning with the letter A belong to the α clade and those beginning with the letter B to the β clade. (See electronic supplementary material 2 for more details about figure 1.)

maternally inherited, stochastic extinctions of mitochondrial lineages through the absence of female offspring are usually the norm unless sufficiently large populations of females exist. The coexistence of divergent lineages of mtDNA within a species is therefore rare and requires an elucidation of the evolutionary and population processes that led to it (Melnick *et al.* 1993). The Asian elephant has two such divergent lineages of mtDNA haplotypes or clades, the ' α ' (Fernando *et al.* 2000, 2003) or ' β ' clade (Hartl *et al.* 1996; Fleischer *et al.* 2001) and the ' β ' or ' α ' clade (we use the α and β terminology here), with a sequence divergence of approximately 3 per cent. Haplotypes from these two clades coexist within populations, sometimes within small geographical areas (Fernando *et al.* 2000; Fleischer *et al.* 2001), unlike other mammalian species, in which divergent clades are usually geographically separate (e.g. Taberlet & Bouvet 1994; Jensen-Seaman & Kidd 2001). Therefore, understanding the coexistence and distribution of the two clades is vital to understanding Asian elephant evolution.

Hypotheses to explain the distribution of the two Asian elephant clades have invoked introgression of mitochondrial haplotypes from another species through hybridization, and/or allopatric divergence, in which mutations accumulate and lead to sequence divergence among populations that

are geographically separated. More specifically, these hypotheses include: (i) the introgression of mtDNA from *E. namadicus* or an alternative species of *Elephas* to *E. maximus* (Fernando *et al.* 2000); (ii) allopatric divergence of populations on the mainland giving rise to the α clade and on Sri Lanka giving rise to the β clade, followed by secondary contact and admixture (Fernando *et al.* 2000); (iii) introgression of mtDNA from *E. hysudrindicus* (in the Sunda region), which gave rise to the β clade, into *E. maximus*, which carried the α clade, followed by extensive trade in elephants bringing the β clade to Sri Lanka and southern India (Fleischer *et al.* 2001); and (iv) incomplete lineage sorting, or the retention of divergent lineages simply owing to large population size (Fleischer *et al.* 2001). Importantly, these hypotheses were based on only four to six samples from India, which hosts approximately 60 per cent of the entire Asian elephant population (Sukumar 2003), and zero to five samples from Myanmar, which hosts another 10 per cent.

Here, we expand our phylogeographic analysis by examining mtDNA from 534 Asian elephants across the species's range (figure 1), including larger sample sizes from India ($n=244$) and Myanmar ($n=24$). The mtDNA segment analysed (599 base pairs (bp), comprising the C-terminal of *cyt-b*, *t-RNA_{Thr}*, *t-RNA_{Pro}* and the

hypervariable left domain of the control region) corresponds to that used by Fernando *et al.* (2000, 2003) and Fleischer *et al.* (2001) (minus 76 bp), making it possible to compare the results across studies. We examined mtDNA diversity and population differentiation, and then constructed phylogenetic trees based on maximum parsimony (MP), minimum evolution (ME) and Bayesian methods in order to examine age relationships between haplotypes, and mismatch distributions to detect historical population expansions. Finally, we used a nested clade analysis (NCA) to look for geographical associations of haplotypes and a dispersal–vicariance analysis to identify areas of distribution of ancestral haplotypes. Based on our results, we propose a revised evolutionary hypothesis in which climatic fluctuations during the Pleistocene were an important factor shaping Asian elephant phylogeography.

2. MATERIAL AND METHODS

(a) Samples and molecular analysis

We sequenced 365 new individuals and added 169 published sequences of Fernando *et al.* (2000, 2003). Most (332) new samples were non-invasively collected fresh dung, mostly from free-ranging elephants, while the remaining were blood samples from captive elephants with unambiguous capture records. Sequences of the African elephant (*Loxodonta africana*) were obtained from three zoo animals (see Fernando *et al.* 2003) and those of the woolly mammoth (*Mammuthus primigenius*) from GenBank sequences NC007596 (Krause *et al.* 2006) and DQ316067 (Rogaev *et al.* 2006). DNA extraction, PCR amplification and sequencing were based on Fernando *et al.* (2000, 2003).

(b) MtDNA diversity and differentiation

We aligned and edited sequences using SEQUENCHER v. 3.1.1 (Gene Codes Corporation 1999). Population structure was assessed based on locus-by-locus analysis of molecular variance (AMOVA; Excoffier *et al.* 1992) and F_{ST} (Weir & Cockerham 1984) values calculated using ARLEQUIN v. 3.1 (Excoffier *et al.* 2005).

(c) Phylogenetic analyses

Phylogenetic analyses were conducted using MP, ME and Bayesian approaches, with woolly mammoth and the African elephant haplotypes as outgroups. MP and ME trees were constructed using PAUP v. 4 (Swofford 1998), employing a heuristic search with random addition of sequences and TBR branch swapping procedure. The Bayesian analysis was carried out using the HKY+I model, relaxed molecular clock (uncorrelated lognormal) assumption and normal priors for HKY kappa (the corrected transition/transversion ratio), I, and the coalescent population size parameter, in the program BEAST v. 1.4.6 (Drummond & Rambaut 2006). Normal priors were also used for divergence times between the *Loxodonta* and *Mammuthus–Elephas* lineages (mean=7.6 Myr ago) and between *Mammuthus* and *Elephas* (mean=6.7 Myr ago) based on Rohland *et al.*'s (2007) findings, and between the α and β clades in the Asian elephant (mean=1.85 Myr ago; see below). These three calibration points allowed dating of other internal nodes (see electronic supplementary material 3 for more details on phylogenetic analyses).

Mismatch distributions (Rogers & Harpending 1992) were constructed and similarity between the observed and

simulated mismatches tested using ARLEQUIN v. 3.1. To arrive at the times of expansion, we calculated a mutation rate for our 599 bp segment using HKY-corrected pairwise distances between haplotypes from the software PHYLO_WIN (Galtier *et al.* 1996) and a *cyt-b*-based time calibration. The latter was carried out with *cyt-b*-based divergences between the Asian and African elephants, and between the two Asian elephant clades as provided by Fleischer *et al.* (2001), but using divergence times of 6.6–8.8 Myr between the two species (Rohland *et al.* 2007) instead of the previous 5 Myr estimate. This calculation gave *cyt-b*-based divergence times between the two Asian elephant clades of 1.6–2.1 Myr, instead of 1.2 Myr calculated by Fleischer *et al.* (2001).

(d) Analyses of phylogeography

The NCA was carried out using 530 individuals with locational data to test the null hypothesis of no geographical association of haplotypes and, if the null hypothesis was rejected, to discriminate between the alternative hypotheses of restricted gene flow, range fragmentation and range expansion or long-distance colonization (Templeton 1998). A haplotype network based on statistical parsimony was created using TCS v. 1.13 (Clement *et al.* 2000) and the network nested into a series of nested clades. Geographical associations of clades were tested statistically using GEO DIS v. 2.0 (Posada *et al.* 2000). The inference key of Templeton (2004) was used to distinguish among alternative hypotheses. We used relatively small population units/locations (see electronic supplementary material 4) and land (including past land bridges) distances (1326 distance measurements) between locations.

Dispersal–vicariance analysis to reconstruct ancestral area distributions of the MP and ME phylogenies was carried out using the program DIVA (Ronquist 1996). In the dispersal–vicariance analysis of the MP consensus tree, polytomies were present on individual trees and were not the result of creating consensus trees. Therefore, polytomies were broken down into various combinations and reanalysed.

3. RESULTS

(a) Mitochondrial diversity and differentiation

We discovered a total of 33 substitutions (30 transitions, 3 transversions; 31 sites), which resulted in 32 unique mitochondrial haplotypes, 11 from the α clade and 21 from the β clade, among the 534 individuals sampled (see electronic supplementary material 5). Analysed as a single population, Asian elephant haplotype diversity (H' ; Nei 1987) is (average ± 1.96 s.e.) 0.871 ± 0.0101 , and nucleotide diversity (π ; Nei 1987), 0.0157 ± 0.0080 . Sri Lanka, Myanmar and Vietnam showed the highest haplotype diversities (figure 1). In addition, Sri Lanka and Myanmar had the highest nucleotide diversities, while Vietnam had haplotypes of only the α clade and, therefore, lower nucleotide diversity (figure 1). Haplotype and nucleotide diversities in the α clade were 0.801 ± 0.0198 and 0.003 ± 0.0020 , respectively, and, in the β clade, 0.781 ± 0.0178 and 0.007 ± 0.0040 , respectively. The average sequence divergence within clades was 0.37 per cent (range: 0.01–1%) within the α clade and 0.87 per cent (range: 0.01–1.8%) within the β clade, and the average sequence divergence between the α and β clades was 3.0 per cent (range: 2.1–4.0%). Population structure based on AMOVA showed significant differentiation among regions,

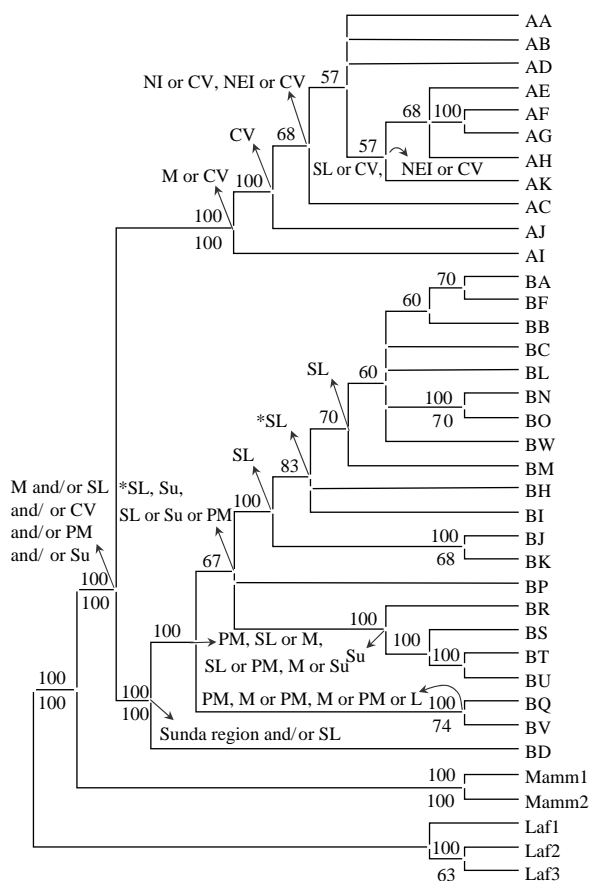


Figure 2. Consensus MP tree of Asian elephant haplotypes, rooted with African elephant (Laf1, Laf2 and Laf3) and woolly mammoth (Mamm1 and Mamm2) haplotypes as outgroups. Consensus values are given above the branch and the bootstrap values (based on 1000 replicates) above 50 per cent are given below the branch adjoining the corresponding node. Ancestral areas inferred from dispersal–vicariance analysis are shown with arrows from the corresponding nodes. Abbreviations used: B, Borneo; CV, Cambodia–Vietnam; L, Laos; M, Myanmar; NEI, northeastern India and Bhutan; NI, northern India; PM, Peninsular Malaysia; SI, southern India; SL, Sri Lanka; Su, Sumatra. Asterisks indicate results based on shown as well as alternative arrangements at those nodes.

among populations within regions and within populations (see electronic supplementary material 6). Fifty of the fifty-five pairwise comparisons of F_{ST} between populations were significant after Bonferroni corrections were applied (see electronic supplementary material 7).

(b) Phylogenetic analyses

MP analysis yielded 5040 equally parsimonious trees (tree score = 125). The majority rule consensus tree is shown in figure 2. The ME tree (not shown) was similar in topology to the MP tree with minor rearrangements of the terminal branches. Log posteriors of the three Bayesian runs (−1914.28, −1914.21 and −1914.25) indicated convergence of results ($p > 0.05$ in pairwise tests based on Bayes factors; see Kass & Raftery 1995). The average log likelihood of the trees obtained from the three runs was −1428.72 (95% CI of the highest posterior densities = −1440.84 to 1416.99). A consensus tree of the 300 003 Bayesian trees (from the three runs) is shown in figure 3. All three types of tree construction revealed the

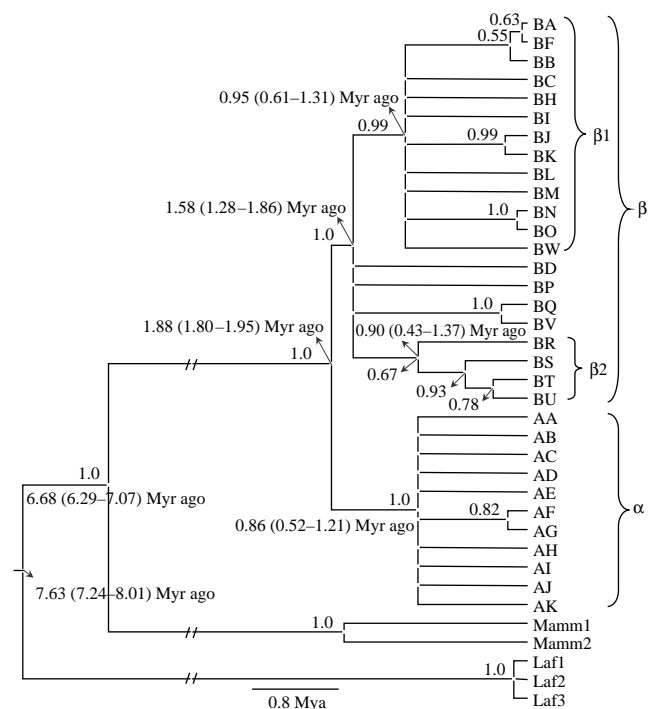


Figure 3. Phylogram from the Bayesian analysis with posterior probabilities of nodes (greater than 0.5) and mean and 95% CI of posterior node heights.

distinction between α and β clades with certainty. A subclade within the β clade, referred to here as the $\beta 1$ subclade, that consisted of 13 haplotypes—BA, BB, BC, BF, BH–BO (alphabetically) and BW—was present in the Bayesian and ME trees and in the MP consensus tree (figures 2 and 3). Support was poor for this clade in the MP tree (38%), but this clade consistently appeared in all the 5040 most parsimonious trees (figure 2), supporting this structure. This clade was also present in the previous ME analysis of Fernando *et al.* (2003). Of the eight β clade haplotypes that were not part of the $\beta 1$ subclade, haplotypes BR, BS, BT and BU formed a monophyletic group, henceforth referred to as the $\beta 2$ subclade, in the Bayesian tree (figure 3). Bootstrap support for this clade was also lacking in the MP tree (37%), but, again, all the most parsimonious trees showed this node. The $\beta 2$ subclade is likely to be the Sumatran subclade of Fleischer *et al.* (2001), although we could not confirm this as their sequences are not publicly available. Haplotype AI was identified as basal to the α clade in the MP and ME trees, while no structure was detected within this clade in the Bayesian tree (figures 2, 3). Dating of nodes in the Bayesian tree indicated that the β clade is older (mean 1.58, 95% CI 1.28–1.86 Myr ago) than the α clade (mean 0.86, 95% CI 0.52–1.21 Myr ago). The $\beta 1$ and $\beta 2$ subclades were of roughly the same age as the α clade (figure 3).

Analysis of mismatch distributions showed that observed data were explained by the fitted models, with the combined data of the two clades indicating demographic stability and the α and β clades indicating population expansion (see electronic supplementary material 8). The HKY-corrected distance between clades was 0.025 and the mutation rate in the mtDNA segment was estimated to be 1.6 and 1.2 per cent per Myr based on the mean divergence times, between the Asian and African elephants, of 6.6 and 8.8 Myr ago, respectively. This was

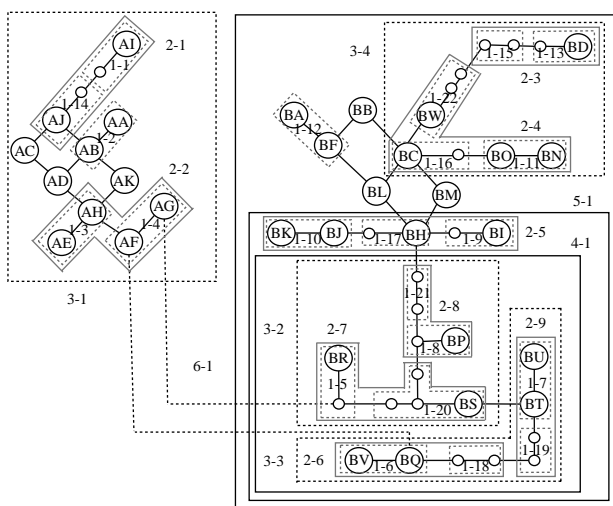


Figure 4. Hierarchical levels of nesting of the haplotype network generated by statistical parsimony. Each clade is denoted by two numbers, the first denoting the level of nesting and the second indicating the number of the clade at that level of nesting. Each branch between two haplotypes denotes a single mutation. Dashed lines show non-parsimonious connections. Empty circles indicate assumed haplotypes.

considerably lower than the rate (3.5%) calculated by Fleischer *et al.* (2001), partly owing to the different time estimate used and partly owing to the smaller HKY-corrected distance between clades in our larger sample. Based on the values of τ ($=2\mu t$ generations; μ is the mutation rate over the entire sequence analysed and t is the time to expansion of a population with initial effective number of females $=N_0$ to a final size N_1) from the mismatch distributions, a generation time of 27 years estimated (as the average age of reproducing females) from field data in southern India (C. Arivazhagan, T. N. C. Vidya & R. Sukumar 2001–2003, unpublished data) and mutation rates of 1.6 per cent (divergence time between clades of 1.6 Myr) and 1.2 per cent (divergence time between clades of 2.1 Myr), respectively the mean times of expansion of the α clade were approximately 128 000 and 170 000 yr ago and the mean times of expansion of the β clade were 383 000 and 511 000 yr ago. N_0 was very low in both clades but confidence limits were large and upper limits of N_0 were 2190 in the α clade and 4808 in the β clade based on a 1.6 Myr divergence between clades and 2920 in the α clade and 6410 in the β clade based on a 2.1 Myr divergence. The values of N_1 ($=\theta_1/2\mu$; estimation of mutation parameter θ_1 thought to be biased upwards; Schneider & Excoffier 1999) were (based on 1.6 and 2.1 Myr divergences, respectively, between clades) 17 488 and 318 in the α clade, and 15 566 and 20 754 in the β clade. N_0 and N_1 were both approximately 23 600 (based on a 1.6 Myr divergence) or 31 500 (based on a 2.1 Myr divergence) based on the combined data of both clades.

(c) Phylogeographic analyses

Hierarchical nesting of the cladogram generated by statistical parsimony produced 22 one-step clades, 9 two-step clades, 4 three-step clades, and 1 each of four-, five- and six-step clades (figure 4). Connections between the α and β clades did not adhere to the limits of 95 per cent parsimony, and the two clades were treated as

disjointed networks. The distribution of the α and β clades was clinal as suggested by Fleischer *et al.* (2001), with the β clade showing higher frequencies in the southern areas of the species' range, and the α clade largely distributed towards the northern and eastern areas of the range (figure 1). Nesting level is indicative of the age of haplotypes in an NCA. Based on the levels of nesting, clades 2-6 to 2-9 (nested within 3-2 and 3-3, both in turn nested within 4-1) contained the oldest haplotypes within the β clade (figure 4). These seven haplotypes in clade 4-1 were distributed largely across Peninsular Malaysia and Sumatra, but haplotype BP was also fairly common and widespread in Sri Lanka and BQ was found in Myanmar and Laos (figure 1; electronic supplementary material 4).

The NCA uncovered strong geographical associations from 14 out of the 18 clades that could be tested (see electronic supplementary material 9). Within the α clade, contiguous range expansion was observed in clades 1-3 and 2-2, and restricted gene flow and isolation by distance was observed in clade 1-4. Within the β clade, restricted gene flow and isolation by distance was observed in clades 1-11, 1-12, 2-5 and 4-1, allopatric fragmentation in clade 2-4 and contiguous range expansion in clade 3-3. Past fragmentation followed by range expansion was seen in clades 3-4 and 5-1 (see electronic supplementary material 9). Further analysis of the pattern in clade 5-1, by calculating the average pairwise distances between haplotypes and between clades of different levels present in the region (see Templeton 2001), identified Myanmar as a zone of secondary contact of haplotypes, following range expansion. The pairwise distance between the geographical centres of clade 5-1 haplotypes found in Myanmar (1626 km) was higher than those in the Sunda region (Peninsular Malaysia and Sumatra; average = 783 km; 95% CI = 492–1074) and Sri Lanka (average = 657 km; 95% CI = 376–938), both of which also harbour this clade. In addition, the average pairwise distances between geographical centres of clades, which is expected to decrease with increasing clade level under the scenario of restricted gene flow (Templeton 2001), remained high instead up to the clade level that marked the fragmentation event (average pairwise distance between haplotypes in Myanmar, 1626 km; between one-step clades, 1645 km; between two-step clades, 1876 km; between clades 2-5 and 3-3, 2047 km; between clades 2-5 and 4-1, 1776 km). Similar analysis could not be carried out for clade 3-4 since almost all haplotypes of this clade were confined to one region each. NCA inference at the level of the entire α or β clade was inconclusive in the absence of interior-tip contrast of clades. While α and β clades were analysed separately thus far in the NCA, when a parsimony network was constructed adding woolly mammoth haplotypes to Asian elephant haplotypes in order to examine the relationship between the two clades, past fragmentation followed by range expansion was inferred (steps 1-2-11-12-13 followed in inference key of Templeton 2004).

Dispersal–vicariance analysis on both MP and ME phylogenies pointed to Sri Lanka as the ancestral area of the β_1 subclade and Sumatra as the ancestral area of the β_2 subclade. The area occupied by ancestors of the entire β clade (in both MP and ME trees) could not be ascertained unambiguously and was identified as the Sunda region and/or Sri Lanka (figure 2). The ancestral area of the α clade was pointed out to be Myanmar/

Cambodia–Vietnam based on the MP tree (figure 2) and Myanmar/northeastern India/Sri Lanka based on the ME tree. The latter is contingent on the α clade not having been introduced to Sri Lanka through trade in elephants (see below).

4. DISCUSSION

(a) *Evolutionary history of the α and β clades*

The time of divergence, varying complexity and geographical distributions of the α and β clades suggest distinct histories. We examine the hypotheses previously proposed in the context of our results to understand the phylogeography of the Asian elephant.

(i) *Introgression of mtDNA from E. namadicus or an alternative species of Elephas to E. maximus*

Elephas namadicus would seem a logical candidate for the progenitor of either α or β clade based on its broad distribution in Asia during the Middle and Late Middle Pleistocene (ca 0.70–0.15 Myr ago; see electronic supplementary material 10). However, as pointed out by Fernando *et al.* (2000), who first examined this hypothesis, and Fleischer *et al.* (2001), the divergence (including our calculation of 1.6–2.1 Myr) between the α and β clades is not compatible with the proposed phylogenetic relationship between *E. namadicus* and *E. maximus*, which are estimated to have diverged over 3.5 Myr ago, based on morphological and stratigraphic data (Maglio 1973). Fernando *et al.* (2000) suggested that introgression of mtDNA could have alternatively occurred from a different species of *Elephas* that arose in Asia, but did not specify the species (see below for an examination of other species). Unlike Maglio (1973), who suggested that *E. hysudricus* gave rise to *E. maximus*, Aguirre (1969) suggested a common ancestor of *E. hysudricus* and *E. maximus* in *E. planifrons* in the Early Pleistocene. If that were true, it is possible that the two clades originated in *E. hysudricus* and *E. maximus*. However, *E. maximus* is considered by others as a recent species and its fossils date back only to the Late Pleistocene (more recent than 0.25 Myr ago; see electronic supplementary material 10).

(ii) *Allopatric divergence of populations on the mainland that gave rise to the α clade and on Sri Lanka that gave rise to the β clade, followed by secondary admixture*

The overall geographical distribution of the α clade does suggest a mainland origin and the inferred ancestral areas of the α clade were largely on the mainland. However, within the β clade we identified two subclades, $\beta 1$ and $\beta 2$, probably having arisen in Sri Lanka and the Sunda region, respectively. While one of the interior haplotypes BP (figure 4) was found in fairly high frequency in Sri Lanka, others (BP–BV in alphabetical order and BD) were distributed across the Sunda region and other areas. Results from the dispersal–vicariance analysis could not attribute the ancestry of the entire β clade unambiguously to Sri Lanka or the Sunda region alone. The fossil record, however, leads us to believe that the β clade may have arisen in or near Sri Lanka rather than the Sunda region (see below). The hypothesis of allopatric divergence and secondary admixture of the two clades appears correct, with Sri Lanka as an important refugial area during glacial periods. However, the divergence between clades is not

likely to have occurred between Sri Lanka and India, with the repeated absence of land bridges between the two causing the differentiation, because southern India and central India show only β clade haplotypes. We elaborate below on a probable mechanism of allopatric divergence between clades.

(iii) *Introgression of mtDNA from E. hysudricus (in the Sunda region), which gave rise to the β clade, into E. maximus, which already carried the α clade, followed by extensive trade in elephants bringing the β clade to Sri Lanka and southern India*

As mentioned above, the origin of the entire β clade is not immediately clear, based on molecular data, but it probably originated in or near Sri Lanka rather than the Sunda region, based on fossil data. Even if the β clade did arise in the Sunda region, the fossil-based time of divergence between *E. hysudricus* and *E. maximus* of 0.8–1 Myr ago is lower than our newly calculated divergence time of 1.6–2.1 Myr ago between the α and β clades, suggesting that *E. hysudricus* (endemic to Java) did not give rise to the β clade. In addition, being a recent species that appeared only in the Late Pleistocene (more recent than 0.25 Myr ago), *E. maximus* was presumably still evolving when the β subclades were diversifying independently in Sri Lanka and the Sunda region. Since, based on fossil evidence, *E. maximus* evolved from *E. hysudricus* and not *E. hysudricus*, and since fossils of the latter have been recovered only from Java (see electronic supplementary material 10) and not Sri Lanka, it is unlikely that the β clade introgressed from *E. hysudricus* into *E. maximus*. It is plausible that the α clade originated in *E. maximus* (*E. hysudricus*) as we discuss below.

The high frequencies of β clade haplotypes in southern India (100%) and Sri Lanka (66%), and the Sri Lankan origin of the $\beta 1$ subclade, are not concordant with long-distance trade in elephants, dating back to 2000 years at most, having brought the β clade to these regions.

(iv) *Revised hypothesis*

Based on our results, fossil data and previous hypotheses, we present the following hypothesis to explain the distribution of the two clades of haplotypes. As with *E. namadicus*, other *Elephas* species such as *E. planifrons*, *E. celebensis* and *E. platycephalus* are also precluded from being progenitors of either clade owing to fossil-based divergence times of ca 3.5 Myr between each of them and *E. maximus* (Maglio 1973). Similarly, the discordance between fossil-based *E. hysudricus*–*E. maximus* divergence and molecular data-based α – β clade divergence eliminates *E. hysudricus* as a progenitor of either clade of haplotypes. It therefore appears that both clades had their origin in *E. hysudricus*. *Elephas hysudricus* fossils have been recorded widely, from the Pinjor horizon of northern India, the upper Irrawaddies of Myanmar, Kiangsu of southern China and the Ratnapura fauna of Sri Lanka (see electronic supplementary material 10). Since *E. hysudricus* gave rise to *E. hysudricus*, which was found only on Java (Maglio 1973), *E. hysudricus* was presumably found in the Sunda region also.

Our new calculation of the divergence between the α and β clades coincides with the beginning of the Pleistocene. The initiation of the Pleistocene in India

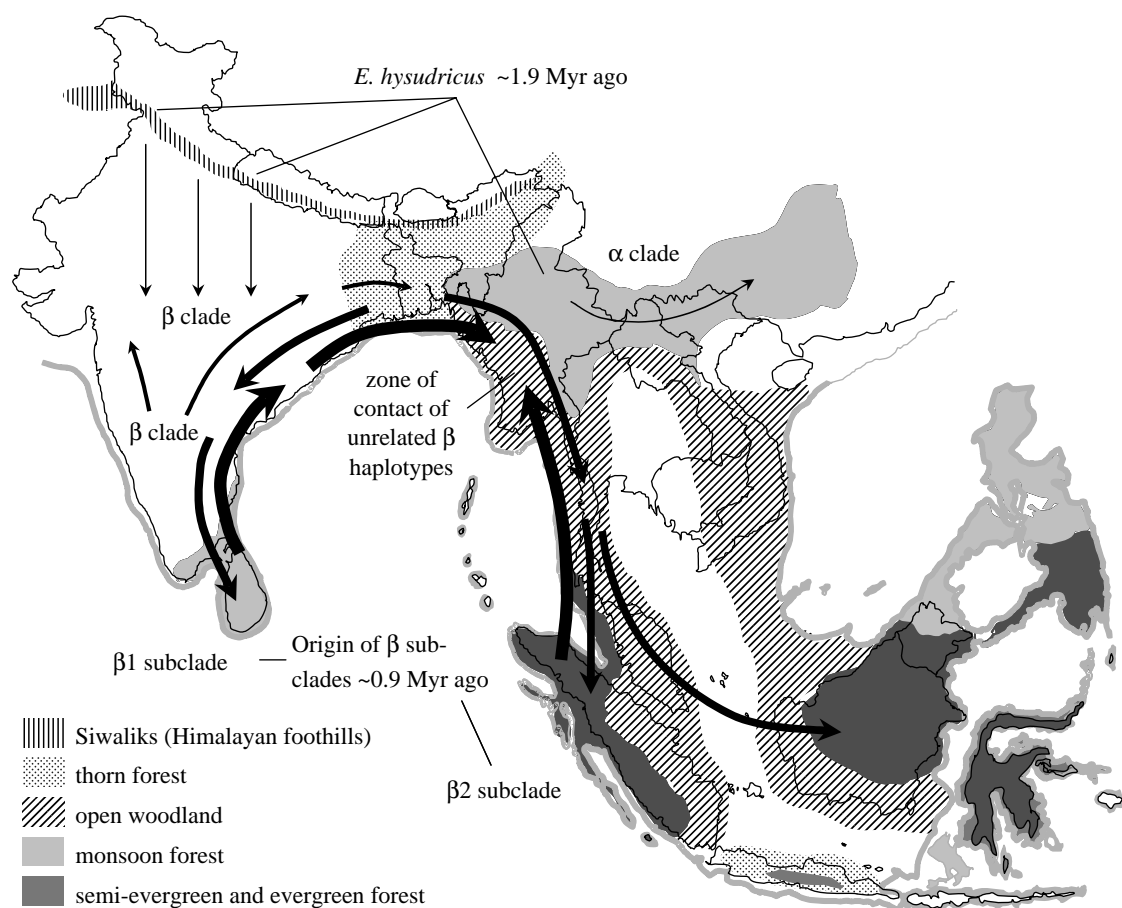


Figure 5. A simplified schematic of our revised hypothesis to explain the observed distribution of mitochondrial haplotypes. Arrows of increasing thickness indicate more recent time periods. There were at least two southward migrations, the first *ca* 1.9 Myr ago resulting in allopatric fragmentation and, consequently, the origin of the α and β clades, and the second *ca* 0.9 Myr ago resulting in the origin of $\beta 1$ and $\beta 2$ subclades. A subsequent northward expansion gave rise to the zone of contact of unrelated β clade haplotypes in Myanmar. Palaeovegetation types during the last glacial maximum based on Adams & Faure (1997) and Gathorne-Hardy *et al.* (2002) are also shown. Monsoon forests and semi-evergreen and evergreen forests are thought to have served as Pleistocene glacial refugia.

(as inferred by the magnetostratigraphically dated Olduvai subchron *ca* 1.9 Myr ago; Krishnamurthy *et al.* 1986) was associated with a cold period (Krishnamurthy *et al.* 1986; Singh & Srinivasan 1993) and increasing tectonic activity in and near the Himalayas in northern India (see Sahni & Kotlia 1993; Nanda 2002). For *ca* 2 Myr ago, *E. hysudricus* formed part of the 'Pinjor Fauna', which were distributed across the Siwalik Hills (foothills of the Himalayas) and the upper Irrawaddies of Myanmar (electronic supplementary material 10). But from *ca* 1.9 Myr ago, there was a change in lithostratigraphic formation in the Siwaliks and the extinction and southward migration into Peninsular India of the Siwalik Pinjor-associated fauna (Sastry 1997; Nanda 2002, 2008). We think that the Siwalik population of *E. hysudricus* that migrated southwards probably gave rise to the β clade and the population in Myanmar (the inferred ancestral area of the α clade from the dispersal–vicariance analysis) extending to southern China, to the α clade.

Thus, the origin of divergent clades from *E. hysudricus* probably took place due to the climatic and/or tectonic changes at the beginning of the Pleistocene, which resulted in allopatric fragmentation, as supported by the results of the NCA. Repeated climatic oscillations in the form of glacial and interglacial periods since the beginning of the Pleistocene, and the ensuing range changes,

adaptations and reorganization of populations, are thought to have resulted in large divergences between populations of various species (Hewitt 2000). Based on geography and inferred climatic conditions during the LGM *ca* 18 000 ya, it is believed that certain relatively warmer areas including Sumatra and southern Borneo, northern and eastern Myanmar, Sri Lanka and the extreme south of India served as glacial refugia during the Pleistocene (figure 5). Given available data on fossils and palaeovegetation, it is difficult to identify the exact region of origin of the β clade. If vegetation during the beginning of the Pleistocene was similar to that reconstructed for the LGM (figure 5), the β clade is likely to have originated in southern India/Sri Lanka. A single fossil of *E. hysudricus* thought to date back to the beginning of the Pleistocene is known from southern India (Prasad & Daniel 1968). However, if patterns of vegetation were different from that of the LGM during the period, one cannot rule out the rest of Peninsular India as refugia since *E. hysudricus* fossils of similar ages are known from various sites in central India and Sri Lanka (electronic supplementary material 10), and fossil beds older than 1 Myr are very rare in the former and absent in the latter.

Our results from the NCA, showing restricted gene flow through isolation by distance in clades 2–5 (three out of the four haplotypes of which are restricted to Sri Lanka)

and 4-1 (distributed mostly across the Sunda region), and from the dispersal–vicariance analysis, showing Sri Lanka and the Sunda region as ancestral areas of the $\beta 1$ and $\beta 2$, subclades, respectively, imply independent diversification of β clade haplotypes within each of these regions well after the origin of the β clade. More intriguingly, the secondary contact of unrelated haplotypes in Myanmar suggests that these haplotypes did not arise within Myanmar, but instead resulted from a northward range expansion of β clade haplotypes from both Sri Lanka and the Sunda region followed by subsequent admixture in this region. This may be best explained by the expansion of the β clade from peninsular India/Sri Lanka to the eastern and southeastern regions during warm periods, a second southward migration of the clade such that it became isolated in the southerly areas of Sri Lanka and the Sunda region (where the $\beta 1$ and $\beta 2$ subclades originated), and subsequent recolonization of the mainland from both regions when warmer, wetter conditions returned (figure 5).

There were possibly several such north–south movements, as suggested by inferences of range expansion and past fragmentation followed by the range expansion in our NCA. The clinal distribution of the two clades thus appears to be a consequence of possibly inhabiting different refugia, with range expansions during the warmer interglacial periods leading to varying distributional overlaps of the two clades. Two divergent clades of haplotypes, thought to have expanded from glacial refugia in southern India and possibly Peninsular Malaysia or Indochina, have also been reported in the dhole (*Cuon alpinus*; Iyengar *et al.* 2005). It was also found that Myanmar had haplotypes of both dhole clades, although the limited sampling precluded testing for a secondary zone of contact. In an earlier study, two divergent clades of haplotypes were also found in the rhesus macaque (*Macaca mulatta*; Melnick *et al.* 1993) in Asia, and Pleistocene glaciations were thought to have created the separation between the clades around the Brahmaputra River in northeastern India.

An alternative hypothesis to allopatric fragmentation of *E. hysudricus* populations giving rise to the two mtDNA clades is that of lineage retention within a single population. We find that the historical effective population size during the last population bottleneck (less than 50 females in each clade with upper limits of a few thousand females in each clade, and approximately 23 600 and 31 500 females, based on 1.6 and 2.1 Myr divergences between clades respectively, if treated as a single population) is smaller than the 29 800 (based on a 1.6 Myr divergence between clades) or 39 800 (based on a 2.1 Myr divergence) females that would be required at a minimum for lineage retention based on applying the formula of Georgiadis *et al.* (1994). The plausibility of several such bottlenecks in the past makes lineage retention an unlikely explanation for the coexistence of the α and β clades.

Thus, we also invoke extensive movement to explain the distribution of the two Asian elephant mtDNA clades, but unlike Fleischer *et al.* (2001) we maintain that this movement was mostly ancient, largely as a response to climatic conditions, with details of movement possibly having been additionally influenced by the presence of heterospecific proboscideans competing for similar niches. While we cannot detect human-assisted movement of

β -clade haplotypes across Asia, the arrival of the α clade in Sri Lanka due to trade in elephants cannot be ruled out. The fairly high frequency of α -clade haplotypes in Sri Lanka and the presence of a unique haplotype (AG) seem to support a natural colonization of Sri Lanka. However, the conspicuous absence of the α clade in central and southern India, the confinement of the α clade within Sri Lanka to the southern region, the established historical trade in elephants between Sri Lanka and Myanmar (see Sukumar 2003; electronic supplementary material 11) and the presence of two out of the three Sri Lankan α -clade haplotypes (AE and AF; the third haplotype AG differs from AF by a single mutation) in or close to Myanmar suggest a human-assisted transfer of this clade to Sri Lanka. Population genetic modelling of peninsular Indian populations may help in examining whether elephant captures and reduction in population size due to historical habitat loss in these regions could have led to the extinction of the α clade in southern India following a natural colonization of Sri Lanka by this clade.

This study of phylogeography is unique in sampling over 1 per cent of the entire population of a large mammal. We sampled all the major Asian elephant populations with the exception of those in Thailand. However, D-loop sequences were available for elephants from Thailand (GenBank sequences AF317519–AF317535, AF324827–AF324828, AF368903; submitted by J. Fickel, D. Kieckfeldt, T. B. Hildebrandt & C. Pitra 2000–2001, unpublished data) and, although we did not use these sequences as they were not yet published and were 188 bp shorter than our other sequences, based on alignment, we inferred these sequences to be either our haplotypes AB, AC, AD, AE, AH, BH, BO, BP, BQ and BW, or ones closely related to them. The presence of these haplotypes in Thailand is consistent with our proposed phylogeographic explanation: β clade haplotypes are very similar in composition to those in Myanmar, and the increased number of α clade haplotypes geographically close to Myanmar supports the idea of Myanmar being the ancestral area of the α clade.

(b) *Potential limitations of the study*

As with most phylogenetic studies that calibrate dates based on fossil records, this study also assumes that divergences based on fossil morphology are reflected in the gene tree, which may not always be true. Since divergent clades with coalescence times of over 1 Myr exist in the Asian elephant, the African elephants (Roca *et al.* 2005) and the mammoth (Barnes *et al.* 2007; Gilbert *et al.* 2008), it is possible that extinct species of *Elephas* also showed similar unusual patterns. That would lead to larger uncertainties in the coalescence times of the two clades and their times of expansions. The molecular dates are calibrated based on the fossil date for elephantid–mastodon divergence (Rohland *et al.* 2007), and therefore rely on that date being correct (see electronic supplementary material 1).

It has been shown that the NCA produces a large number of false positives when a panmictic population is considered (Panchal & Beaumont 2007). If structured populations show the same results as panmictic populations, it is possible that some of our inferences in the NCA are false positives. However, based on simulations in a panmictic population, the inference of past fragmentation

followed by range expansion almost never appears (Panchal & Beaumont 2007). Therefore, our main inference of the two clades having arisen due to the past fragmentation followed by range expansion is not likely to be a false positive. The test for secondary contact of unrelated haplotypes in Myanmar also suggests that the pattern is real. In addition, since the dispersal–vicariance analysis inferred Sri Lanka and Sumatra as the areas of origin of the β_1 and β_2 subclades, respectively, and Myanmar as an ancestral area of the α clade, and these areas coincide with Pleistocene glacial refugia, our inference of a contraction–expansion scenario would be supported even in the absence of the NCA.

Future work is required to investigate whether the pattern shown by mtDNA is also shown by nuclear DNA so that conservation measures are based on results from multiple genetic markers. A disassociation between mtDNA and nuclear genes has been observed in the African elephants (Roca *et al.* 2005; Roca 2008). In the Asian elephant, nuclear microsatellite data are available for India and there is a concordance in population genetic structure discerned by mtDNA and nuclear DNA (Vidya *et al.* 2005).

(c) Population structure

Most of the populations we examined showed distinct frequencies of various haplotypes and were consequently significantly differentiated from one another. It is interesting that while Sri Lanka was significantly differentiated from southern India, it was not significantly differentiated from central India and Myanmar, which are geographically farther away. An analysis of population structure alone would allow this absence of differentiation to be interpreted entirely as a result of past trade in elephants. However, F_{ST} is an inadequate measure of whether this movement of matrilineal lines had its origin in ancient colonization patterns or in historically recent trade in elephants, and, as explained above, an analysis of population history supports the former. We therefore emphasize the need for analyses of population history in addition to population structure.

Molecular analysis was supported by a USFWS-Asian Elephant Conservation Fund grant to Prithiviraj Fernando and D.J.M., a Center for Environmental Research and Conservation Seed Grant and the Laboratory for Genetic Investigation and Conservation, Columbia University. A visiting scholarship was given to T.N.C.V. by Columbia University. Sequencing from blood-extracted DNA was carried out by the sequencing facility at the Department of Biochemistry, Indian Institute of Science. Field sampling was funded by the Ministry of Environment and Forests, the Government of India. Samples were collected with research permissions from the state forest departments of Uttaranchal, West Bengal, Arunachal Pradesh, Assam, Meghalaya, Orissa, Jharkhand, Tamil Nadu, Karnataka and Kerala, in India; the Ministry of Forestry and the Forest Department, Myanmar; and the Forest Protection Department, Vietnam. We thank S. Varma, C. Arivazhagan, T. R. Shankar Raman, G. Dharmarajan and N. Baskaran from the Indian Institute of Science; G. Polet, WWF Cat Tien National Park Conservation Project, Vietnam; Y. Htut, Forest Department, Myanmar; W. Htun and T. H. Aung, Myanmar Timber Enterprises; S. Tint and M. Thinn, Ministry of Forestry, Myanmar; T. V. Thanh, Forest Protection Department, Vietnam; and N. X. Dang, Institute of Ecology and Biological Resources, Vietnam, for their help in obtaining samples. Field

assistance was provided by K. Krishna, R. Mohan and many forest department trackers. We thank Prithiviraj Fernando for his support and comments on the manuscript, and Avinash Nanda, Parth Chauhan and Robin Dennell for their discussion about the fossil records. Prof. W. Hill, three anonymous referees and a Board Member provided comments that helped to improve the manuscript.

REFERENCES

- Adams, J. M. & Faure, H. (eds) 1997 *Review and atlas of palaeovegetation: preliminary land ecosystem maps of the world since the Last Glacial Maximum*. Oak Ridge, TN: Oak Ridge National Laboratory. See <http://www.esd.ornl.gov/projects/gen/adams1.html>.
- Aguirre, E. 1969 Evolutionary history of the elephant. *Science* **20**, 1366–1376. (doi:10.1126/science.164.3886.1366)
- Barnes, I., Shapiro, B., Lister, A., Kuznetsova, T. & Sher, A. 2007 Genetic structure and extinction of the woolly mammoth *Mammuthus primigenius*. *Curr. Biol.* **17**, 1072–1075. (doi:10.1016/j.cub.2007.05.035)
- Clement, M., Posada, D. & Crandall, K. A. 2000 TCS: a computer program to estimate gene genealogies. *Mol. Ecol.* **9**, 1657–1659. (doi:10.1046/j.1365-294x.2000.01020.x)
- Drummond, A. J. & Rambaut, A. 2006 *BEAST v. 1.4.6*. See <http://beast.bio.ed.ac.uk>.
- Duckworth, J. W. & Hedges, S. 1998 *A review of the status of tiger, Asian elephant, gaur, and banteng in Vietnam, Lao, Cambodia and Yunnan Province (China), with recommendations for future conservation action*. Hanoi, Vietnam: WWF Indochina Programme.
- Excoffier, L., Smouse, P. & Quattro, J. 1992 Analysis of molecular variance inferred from metric distances among DNA haplotypes: application to human mitochondrial DNA restriction data. *Genetics* **131**, 479–491.
- Excoffier, L., Laval, G. & Schneider, S. 2005 ARLEQUIN ver. 3.0: an integrated software package for population genetics data analysis. *Evol. Bioinform.* **1**, 47–50.
- Fernando, P., Pfrender, M., Encalada, S. & Lande, R. 2000 Mitochondrial DNA variation, phylogeography and population structure of the Asian elephant. *Heredity* **84**, 362–372. (doi:10.1046/j.1365-2540.2000.00674.x)
- Fernando, P. *et al.* 2003 DNA analysis indicates that Asian elephants are native to Borneo and are therefore a high priority for conservation. *PLoS Biol.* **1**, 110–115. (doi:10.1371/journal.pbio.0000006)
- Fleischer, R., Perry, E., Muralidharan, K., Stevens, E. & Wemmer, C. 2001 Phylogeography of the Asian elephant (*Elephas maximus*) based on mitochondrial DNA. *Evolution* **55**, 1882–1892.
- Galtier, N., Gouy, M. & Gautier, C. 1996 SEAVIEW and PHYLO_WIN: two graphic tools for sequence alignment and molecular phylogeny. *Cabios* **12**, 543–548.
- Gathorne-Hardy, F. J., Syaukani, Davies, R. G., Eggleton, P. & Jones, D. T. 2002 Quaternary rainforest refugia in South-East Asia: using termites (Isoptera) as indicators. *Biol. J. Linn. Soc. Lond.* **75**, 453–466. (doi:10.1046/j.1095-8312.2002.00031.x)
- Gene Codes Corporation 1999 *SEQUENCHER: a genetic analysis software. V. 3.1.1*. Ann Arbor, MI: Gene Codes Corporation.
- Georgiadis, N., Bischof, L., Templeton, A., Patton, J., Karesh, W. & Western, D. 1994 Structure and history of African elephant populations. I. Eastern and southern Africa. *J. Hered.* **85**, 100–104.
- Gilbert, M. T. P., Drautz, D. I., Lesk, A. M., Ho, S. Y. W. & Qi, J. 2008 Intraspecific phylogenetic analysis of Siberian woolly mammoths using complete mitochondrial genomes. *Proc. Natl Acad. Sci. USA* **105**, 8327–8332. (doi:10.1073/pnas.0802315105)

- Hartl, G., Kurt, F., Tiedemann, R., Gmeiner, C., Nadlinger, K., Mar, K. U. & Rubel, A. 1996 Population genetics and systematics of Asian elephants (*Elephas maximus*): a study based on sequence variation at the Cyt *b* gene of PCR-amplified mitochondrial DNA from hair bulbs. *Z. Säugetierkd.* **61**, 285–294.
- Hewitt, G. 2000 The genetic legacy of the Quaternary ice ages. *Nature* **405**, 907–913. (doi:10.1038/35016000)
- Iyengar, A., Babu, V. N., Hedges, S., Venkataraman, A. B., Maclean, N. & Morin, P. A. 2005 Phylogeography, genetic structure, and diversity in the dhole (*Cuon alpinus*). *Mol. Ecol.* **14**, 2281–2297. (doi:10.1111/j.1365-294X.2005.02582.x)
- Jensen-Seaman, M. & Kidd, K. 2001 Mitochondrial DNA variation and biogeography of eastern gorillas. *Mol. Ecol.* **10**, 2241–2247. (doi:10.1046/j.0962-1083.2001.01365.x)
- Kass, R. E. & Raftery, A. E. 1995 Bayes factors. *J. Am. Stat. Assoc.* **90**, 773–795. (doi:10.2307/2291091)
- Krause, J. *et al.* 2006 Multiplex amplification of the mammoth mitochondrial genome and the evolution of Elephantidae. *Nature* **439**, 724–727. (doi:10.1038/nature04432)
- Krishnamurthy, R. V., Bhattacharya, S. K. & Kusumgar, S. 1986 Palaeoclimatic changes deduced from ¹³C/¹²C and C/N ratios of Karewa lake sediments, India. *Nature* **323**, 150–152. (doi:10.1038/323150a0)
- Maglio, V. J. 1973 Origin and evolution of the Elephantidae. *Trans. Am. Phil. Soc.* **63**, 1–149. (doi:10.2307/1006229)
- Melnick, D. J., Hoelzer, G. A., Absher, R. & Ashley, M. V. 1993 mtDNA diversity in rhesus monkeys reveals overestimates of divergence time and paraphyly with neighboring species. *Mol. Biol. Evol.* **10**, 282–295.
- Nanda, A. C. 2002 Upper Siwalik mammalian faunas of India and associated events. *J. Asian Earth Sci.* **21**, 47–58. (doi:10.1016/S1367-9120(02)00013-5)
- Nanda, A. C. 2008 Comments on the Pinjor Mammalian Fauna of the Siwalik Group in relation to the post-Siwalik faunas of Peninsular India and Indo-Gangetic Plain. *Quat. Int.* **192**, 6–13. (doi:10.1016/j.quaint.2007.06.022)
- Nei, M. 1987 *Molecular evolutionary genetics*. New York, NY: Columbia University Press.
- Panchal, M. & Beaumont, M. A. 2007 The automation and evaluation of nested clade phylogeographic analysis. *Evolution* **61**, 1466–1480. (doi:10.1111/j.1558-5646.2007.00124.x)
- Posada, D., Crandall, K. A. & Templeton, A. R. 2000 GeoDIS: a program for the cladistic nested analysis of the geographical distribution of genetic haplotypes. *Mol. Ecol.* **9**, 487–488. (doi:10.1046/j.1365-294x.2000.00887.x)
- Prasad, K. N. & Daniel, J. A. 1968 On the occurrence of *Hypselephas hysudricus* in the Pleistocene deposits of Tirunelveli valley, Madras State. *Curr. Sci.* **37**, 516–517.
- Roca, A. L., Georgiadis, N. & O'Brien, S. J. 2005 Cytonuclear genomic dissociation in African elephant species. *Nat. Genet.* **37**, 96–100.
- Roca, A. L. 2008 The mastodon mitochondrial genome: a mammoth accomplishment. *Trends Genet.* **24**, 49–52. (doi:10.1016/j.tig.2007.11.005)
- Rogaev, E. I., Moliaka, Y. K., Malyarchuk, B. A., Kondrashov, F. A., Derenko, M. V., Chumakov, I. & Grigorenko, A. P. 2006 Complete mitochondrial genome and phylogeny of Pleistocene mammoth *Mammuthus primigenius*. *PLoS Biol.* **4**, 403–410. (doi:10.1371/journal.pbio.0040073)
- Rogers, A. R. & Harpending, H. 1992 Population growth makes waves in the distribution of pairwise genetic differences. *Mol. Biol. Evol.* **9**, 552–569.
- Rohland, N., Malaspinas, A., Pollack, J. L., Slatkin, M., Matheus, P. & Hofreiter, M. 2007 Proboscidean mitogenomics: chronology and mode of elephant evolution using mastodon as outgroup. *PLoS Biol.* **5**, 1663–1671. (doi:10.1371/journal.pbio.0050207)
- Ronquist, F. 1996 *DIVA v. 1.1*. Uppsala, Sweden: Uppsala University. See ftp.uu.se or ftp.systbot.uu.se.
- Sahni, A. & Kotlia, B. S. 1993 Upper Pliocene–Quaternary vertebrate communities of the Karewas and Siwaliks. *Curr. Sci.* **64**, 893–898.
- Sastry, M. V. A. 1997 The Pliocene–Pleistocene boundary in the Indian subcontinent. In *The Pleistocene boundary and the beginning of the Quaternary* (ed. J. A. Van Couvering), pp. 232–238. Cambridge, UK: Cambridge University Press.
- Schneider, S. & Excoffier, L. 1999 Estimation of past demographic parameters from the distribution of pairwise differences when the mutation rates vary among sites: application to human mitochondrial DNA. *Genetics* **152**, 1079–1089.
- Singh, A. D. & Srinivasan, M. S. 1993 Quaternary climatic changes indicated by planktonic foraminifera of northern Indian Ocean. *Curr. Sci.* **64**, 908–915.
- Sukumar, R. 2003 *The living elephants: evolutionary ecology, behavior, and conservation*. New York, NY: Oxford University Press.
- Swofford, D. L. 1998 *PAUP*: phylogenetic analysis using parsimony (*and other methods)*, v. 4.0.b10. Sunderland, UK: Sinauer Associates.
- Taberlet, P. & Bouvet, J. 1994 Mitochondrial DNA polymorphism, phylogeography, and conservation genetics of the brown bear *Ursus arctos* in Europe. *Proc. R. Soc. B* **255**, 195–200. (doi:10.1098/rspb.1994.0028)
- Templeton, A. R. 1998 Nested clade analyses of phylogeographic data: testing hypotheses about gene flow and population history. *Mol. Ecol.* **7**, 381–397. (doi:10.1046/j.1365-294x.1998.00308.x)
- Templeton, A. R. 2001 Using phylogeographic analyses of gene trees to test species status and processes. *Mol. Ecol.* **10**, 779–791. (doi:10.1046/j.1365-294x.2001.01199.x)
- Templeton, A. R. 2004 Statistical phylogeography: methods of evaluating and minimizing inference errors. *Mol. Ecol.* **13**, 789–809. (doi:10.1046/j.1365-294x.2003.02041.x)
- Van den Bergh, G. D., Sondaar, P. Y., De Vos, J. & Aziz, F. 1996 The proboscideans of the South-East Asian islands. In *The Proboscidea: evolution and palaeoecology of elephants and their relatives* (eds J. Shoshani & P. Tassy), pp. 240–248. Oxford, UK: Oxford University Press.
- Vidya, T. N. C., Fernando, P., Melnick, D. J. & Sukumar, R. 2005 Population genetic structure and conservation of Asian elephants (*Elephas maximus*) across India. *Anim. Conserv.* **8**, 377–388. (doi:10.1017/S1367943005002428)
- Weir, B. S. & Cockerham, C. C. 1984 Estimating *F*-statistics for the analysis of population structure. *Evolution* **38**, 1358–1370. (doi:10.2307/2408641)